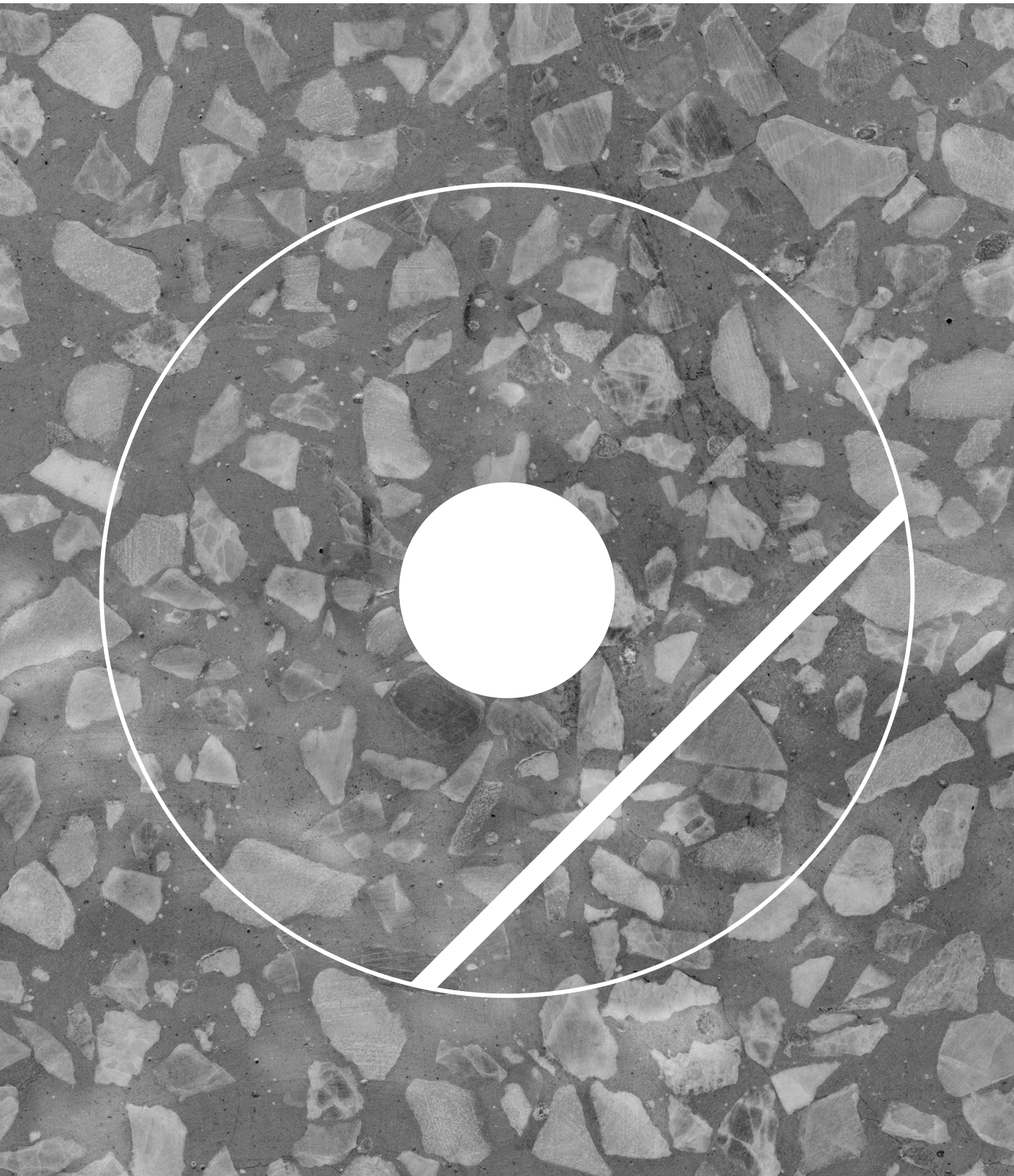


FABR



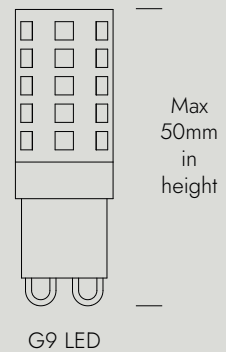
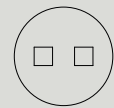
Palladio Brass Safety Information

- This product is to be installed in buildings fixed wiring.
- Please read the instructions before installation.
- Ensure mains power is off during installation.
- This product is only to be installed by a qualified and certified electrician.
- Ensure wall / surface is suitably prepared for installation. Surface area must be flat.
- Do not bring water in contact with product during installation.



Installation Preparation

- 1X G9 LED Max 4W 2700 - 3000K each / Max height 50mm. Must have a Max of 2 LED's on top surface.
- Suitable wall plugs for desired mounting surface
- Drill suitable for intended surface
- M3 Allen key
- M3 Pozidriv screwdriver
- Slotted terminal block screwdriver
- Wire stripper & cutter
- Precise measuring tool & pencil

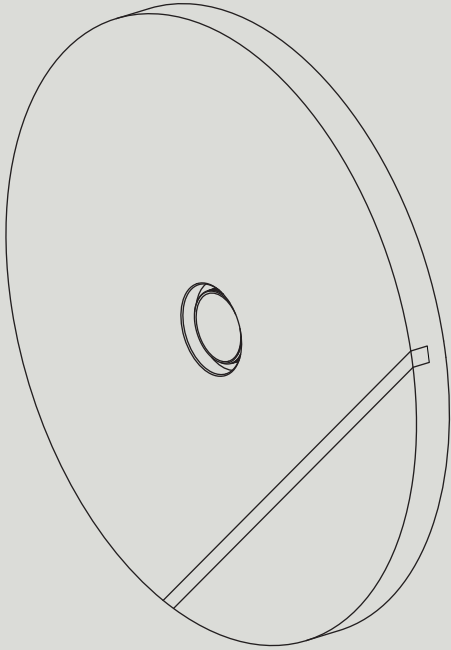


Compliance

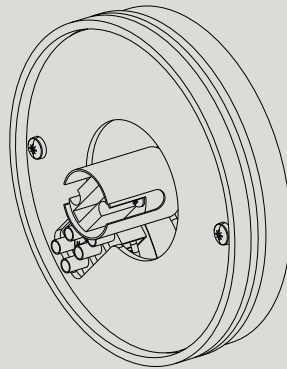


FABR

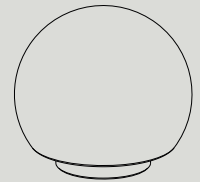
Palladio Brass Contents



1X Cover



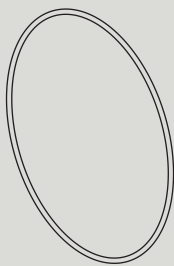
1X Body



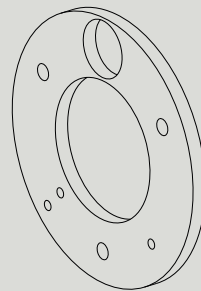
1X Glass Shades



2X Set Screws



1X Groove Gasket

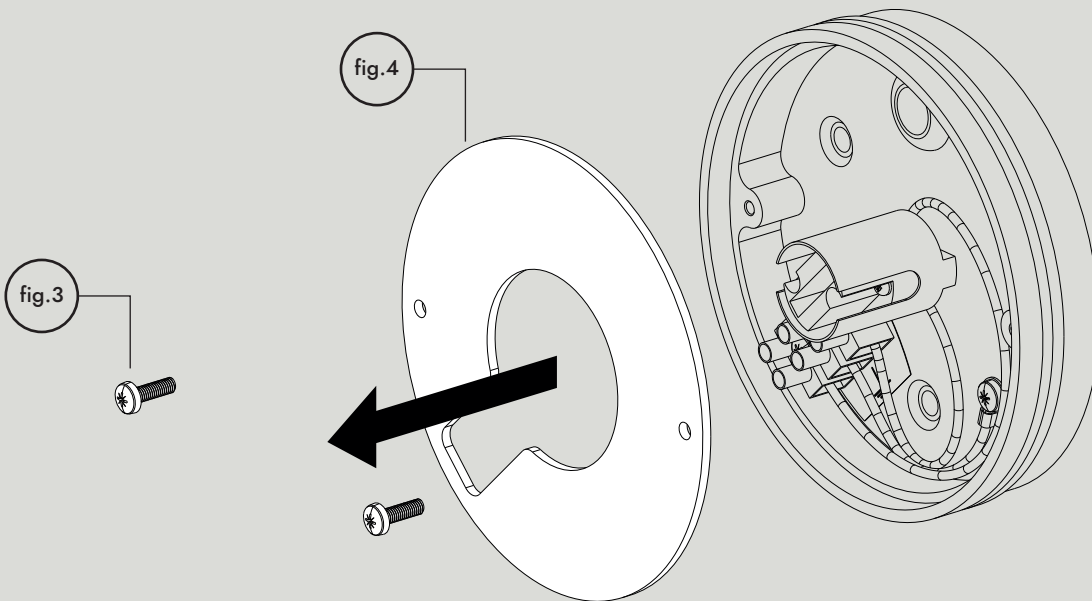
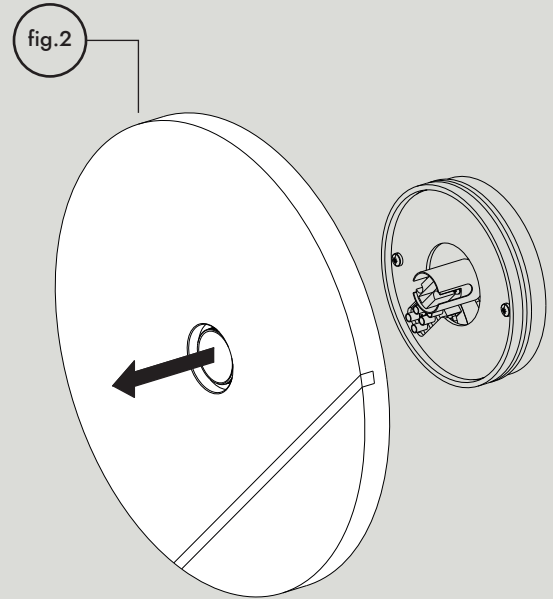
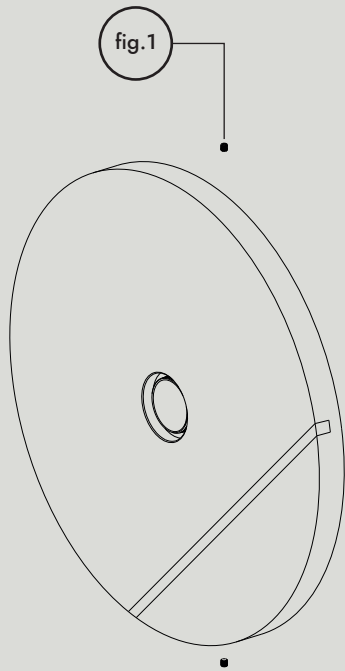


1X Wall Gasket



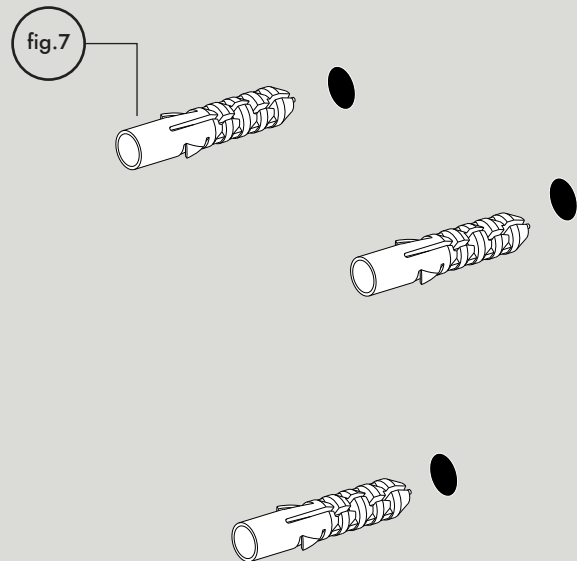
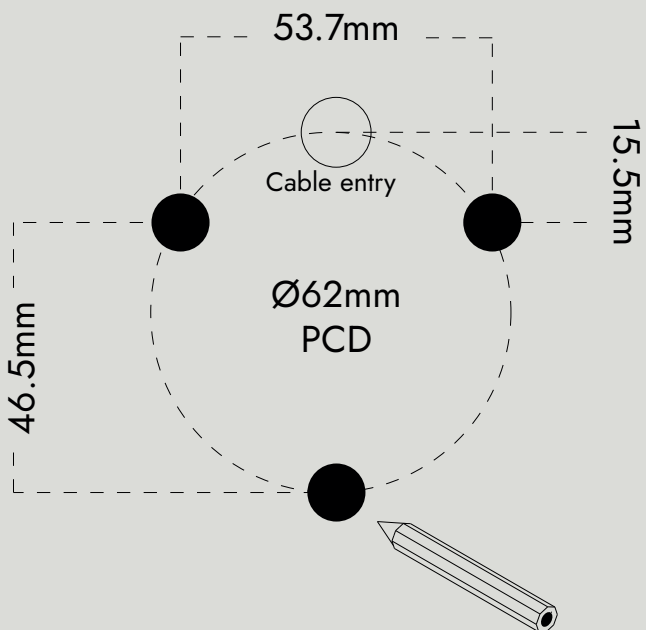
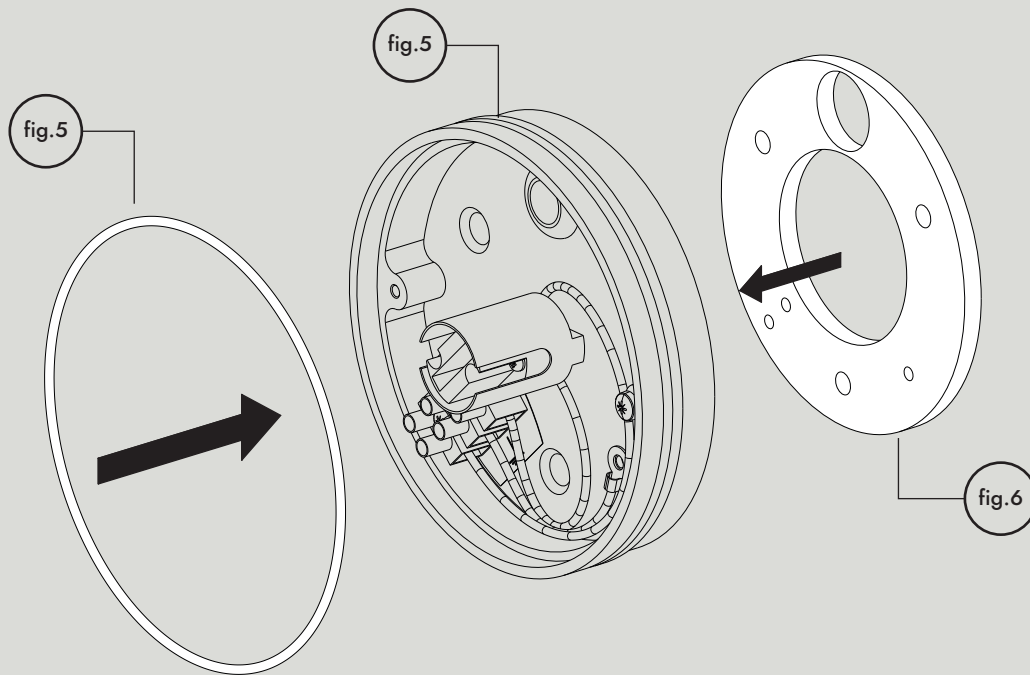
3X Fixing Screws

FABR



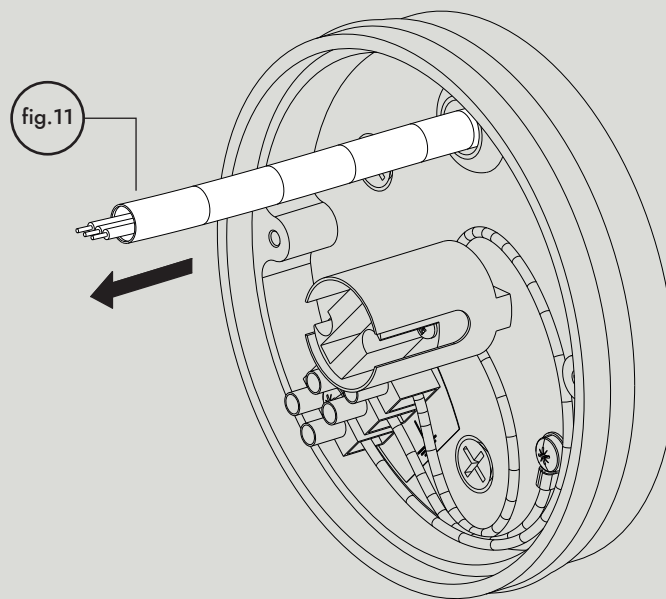
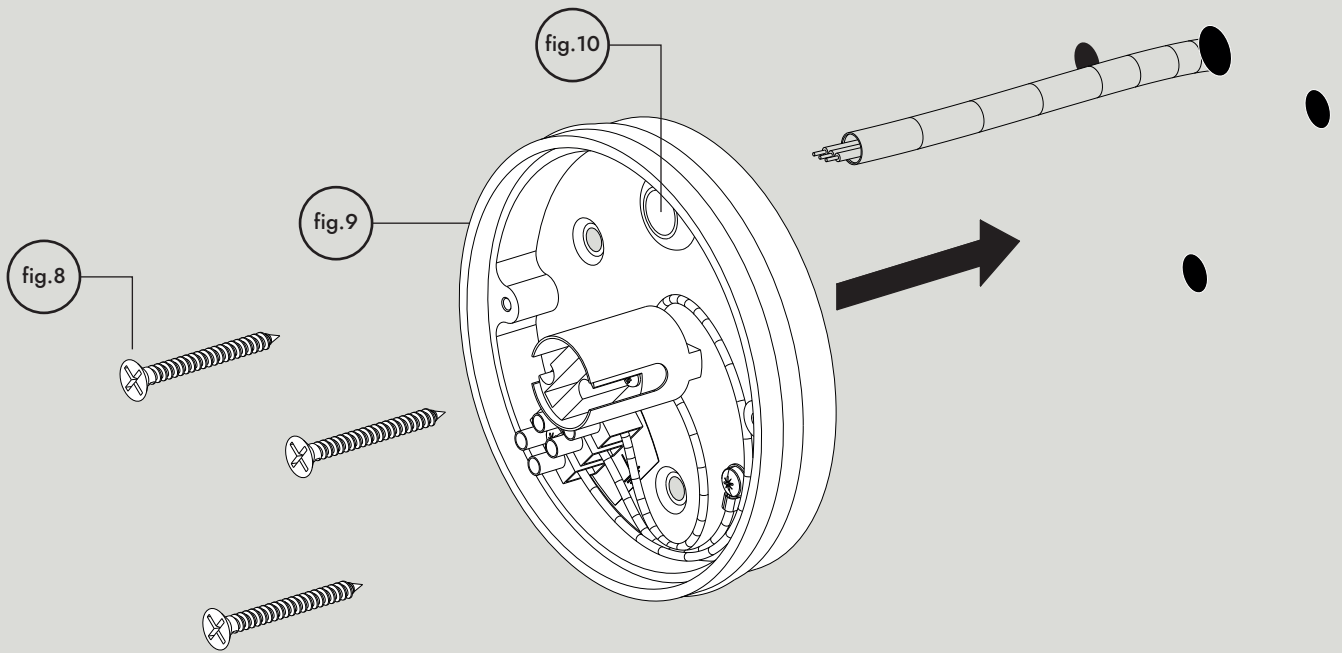
Loosen both upper and lower set-screws (fig.1). Gently remove cover assembly (fig.2), taking great care not to damage the lamp holders. Unscrew 2X cover screws (fig.3) and remove cable cover (fig.4).

FABR



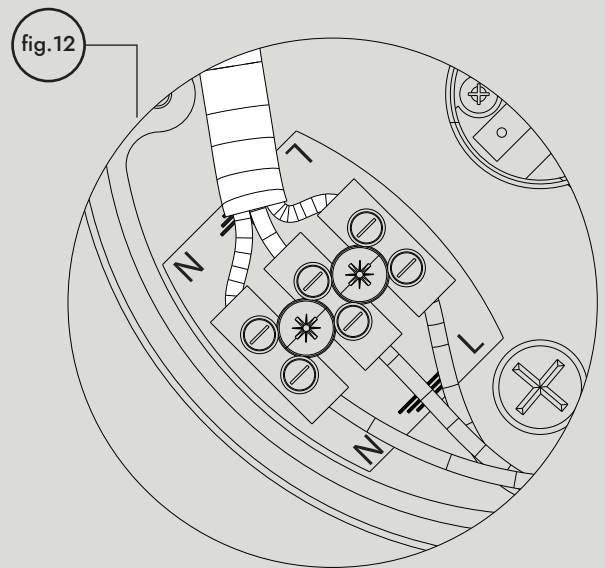
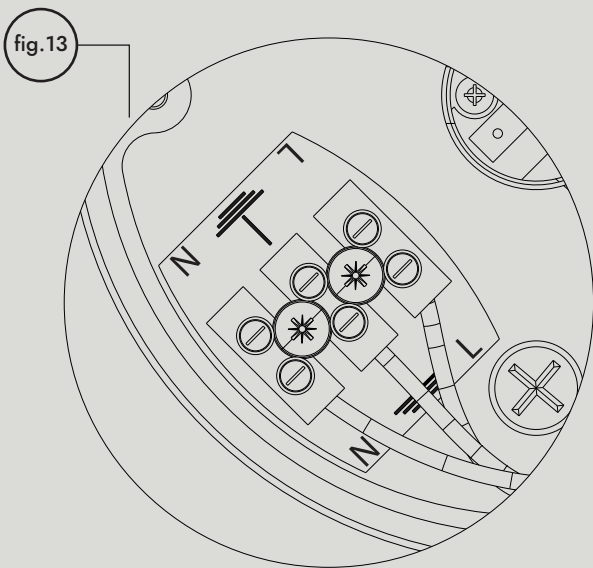
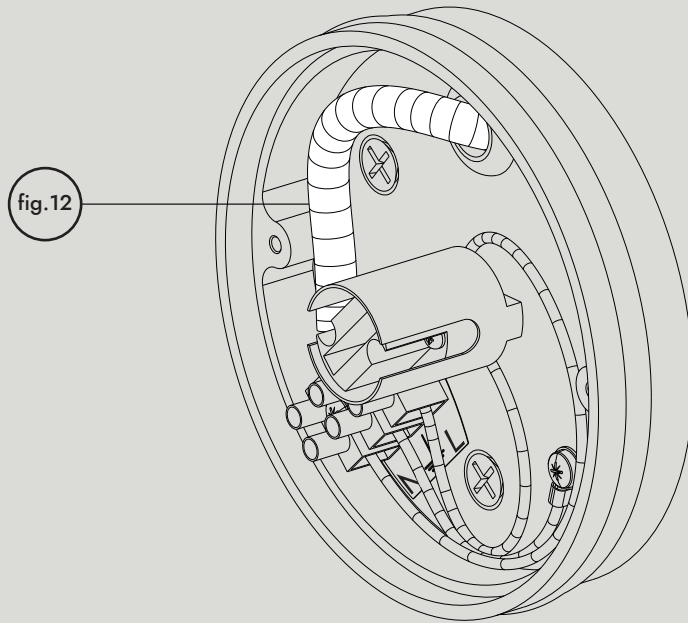
Fit gasket (fig.5) into groove on the body. Gently stretch gasket until fit is achieved. Ensure wall gasket (fig.6) is positioned within its allocated space at the back of the product. Ensure wall is flat and free from imperfections. Mark out mounting holes. Pay attention to position of cable entry to ensure correct final positioning of product. Drill holes for appropriate wall plug fixings, suitable for the fabric of the wall and fit wall plugs (fig.7) not supplied.

FABR



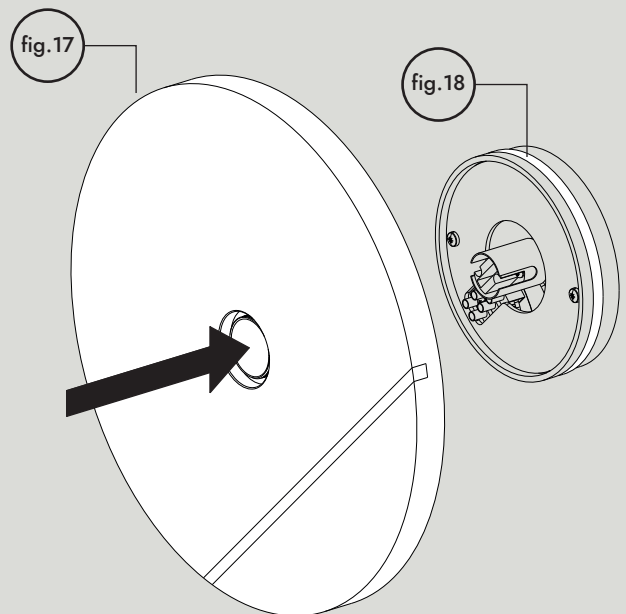
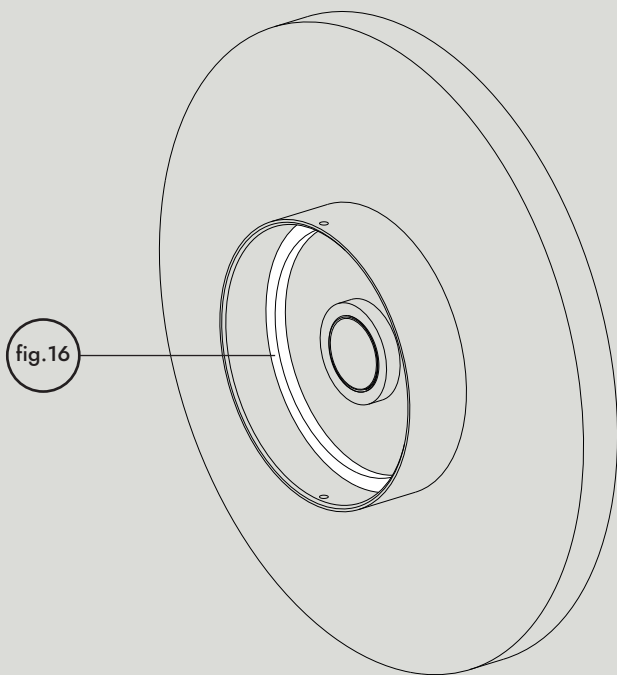
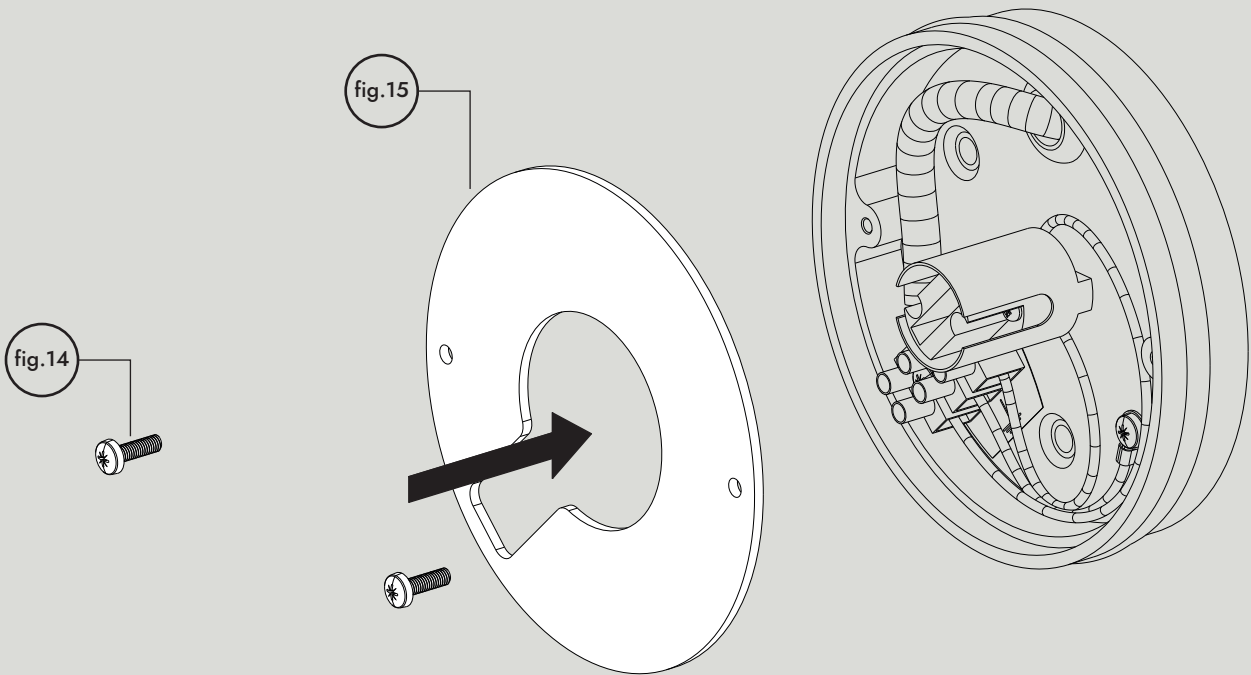
Mains cable from surface (fig.11) must be in line with cable entry on the body (fig.10). Offer cable from surface through the body. Fix body (fig.9) to surface using 3X screws supplied (fig.8). Ensure wall gasket is fully compressed on surface.

FABR



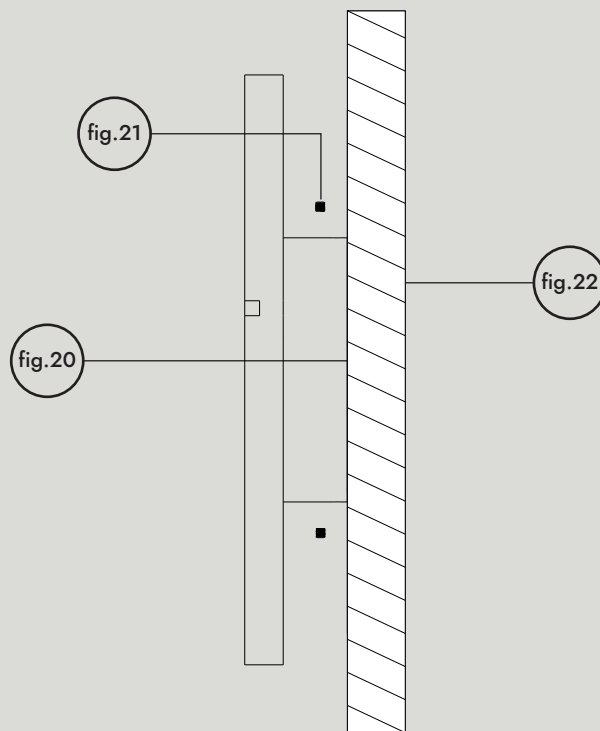
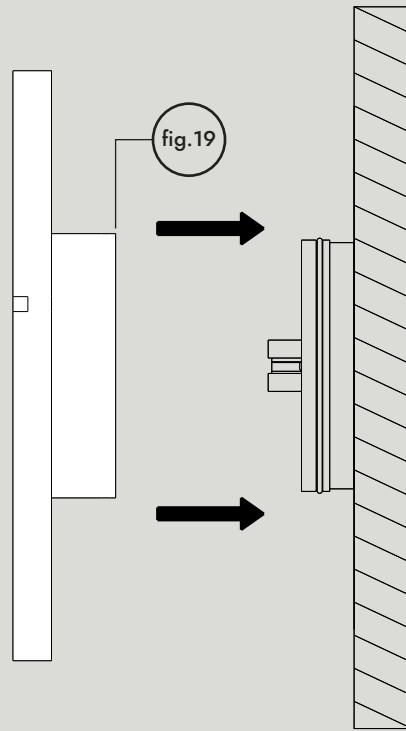
Connect the mains cable to the terminal block (fig.12). L = Brown, N = Blue
Earth = Green & Yellow (fig.13).

FABR



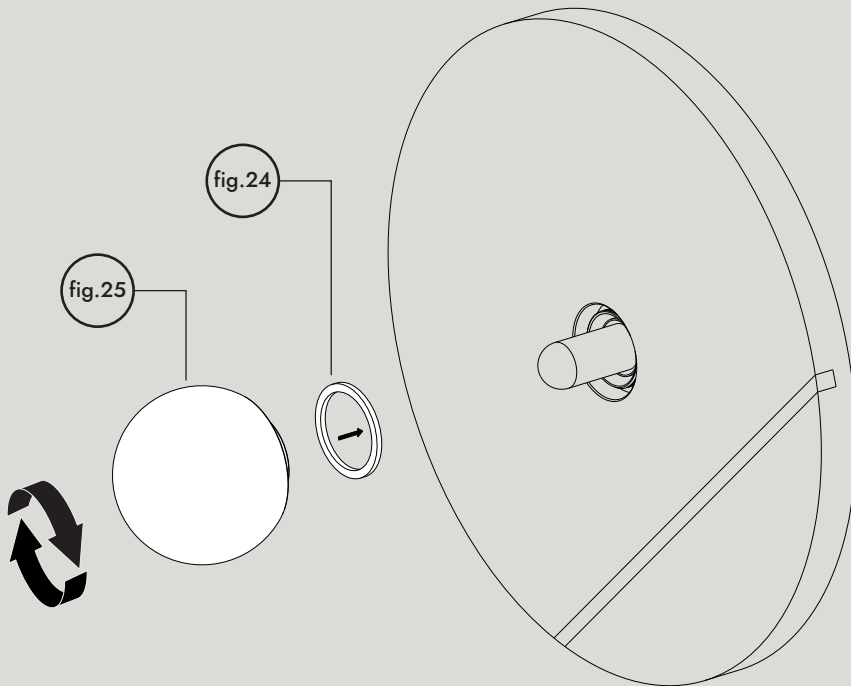
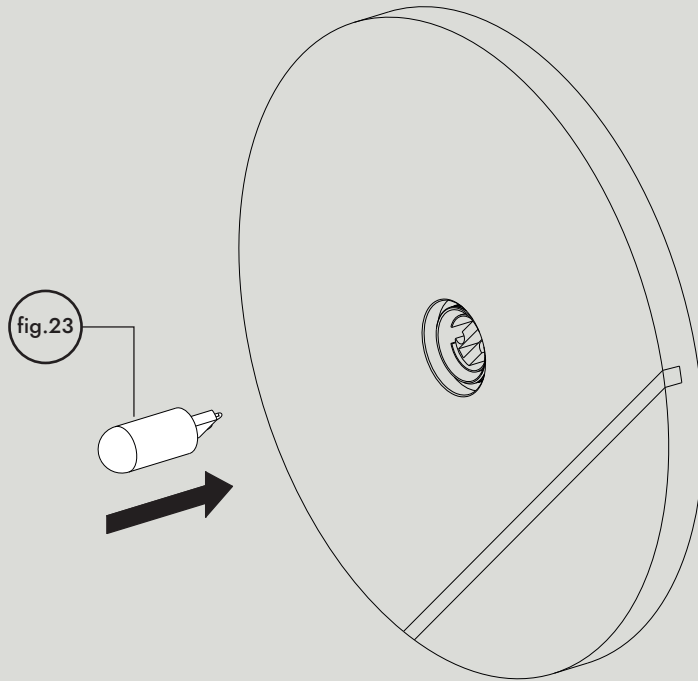
Fit cable cover (fig.15) with 2X screws (fig.14). Ensure that no cables are trapped or loose. Gently install cover assembly (fig.17). Line up hole and meet cover assembly with main body. Take great care not to damage the lamp holder. You will feel slight resistance due to the groove gasket (fig.18), this is normal. Inner gasket (fig.16) will compress against outer edge of the main body.

FABR



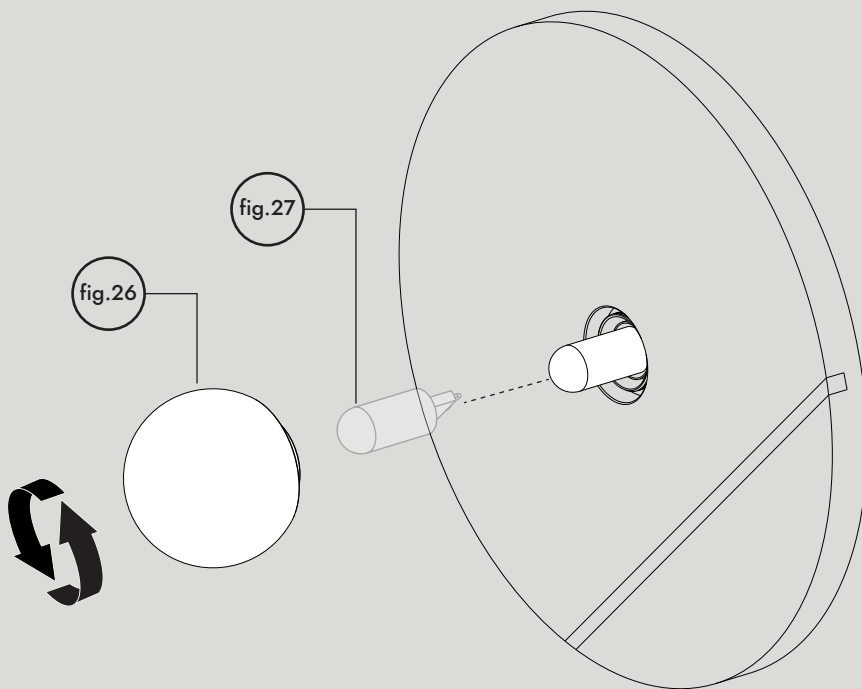
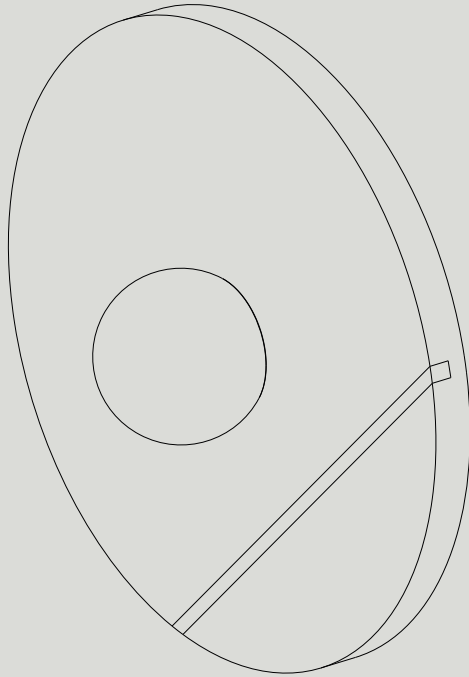
Install the cover assembly (fig.19). Ensure edge of cover (fig.20) is flush against the surface (fig.22). To achieve this gently push the cover until the edge is touching the surface (fig.22). Whilst holding the cover against the surface secure with 2X set screws (fig.21).

FABR



Install 1X G9 LED capsule Max 4W (fig.23) not supplied. Ensure capsule is firmly pushed in. Before screwing on glass shade (fig.25), ensure that 1X glass gasket (fig.24) is located in its place. Please take great care when handling the glass shade. Screw glass shade gently so its firmly secured. Do not over screw as this can cause the glass to break.

FABR



To replace LED capsule. Gently unscrew glass shade (fig.26). Hold the LED capsule (fig.27) firmly and pull in a parallel motion from the lamp holder. Do not twist as this could damage the lamp holder. To fit LED, firmly push LED into lamp holder. Ensure secure fit.



For more information please visit our website
www.wearefabr.com

